

B253, 2-Way, Characterized Control Valve

Stainless Steel Ball and Stem



Technical data	
Service	chilled, hot water, up to 60% glycol
Flow Characteristic	equal percentage
Controllable Flow Range	75°
Size [mm]	2" [50]
End Fitting	NPT female ends
Body	forged brass, nickel plated
Ball	stainless steel
Stem	stainless steel
Stem Packing	EPDM (lubricated)
Seat	Teflon® PTFE
Seat O-ring	EPDM (lubricated)
Characterized Disc	TEFZEL®
Body Pressure Rating [psi]	400
Media Temperature Range (Water)	0°F to 250°F [-18°C to 120°C]
Max Differential Pressure (Water)	50 psi (345 kPa)
Closing pressure Δps	200 psi
Leakage	0% for A to AB
Cv	120
Weight	5.3 lb [2.4 kg]
Servicing	maintenance free



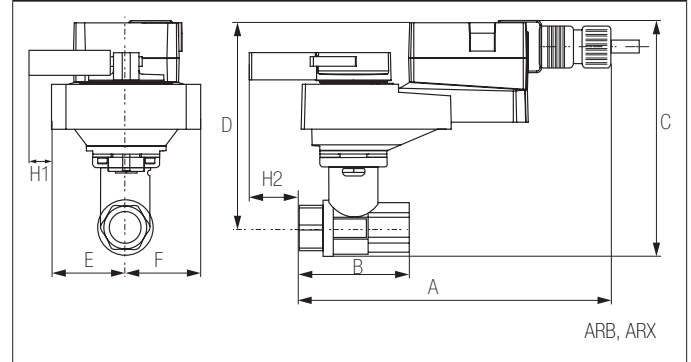
Application

This valve is typically used in air handling units on heating or cooling coils, and fan coil unit heating or cooling coils. Some other common applications include Unit Ventilators, VAV box re-heat coils and bypass loops. This valve is suitable for use in a hydronic system with variable flow.

Suitable Actuators

	Non-Spring	Spring
B253	ARB(X)	AFRB(X)

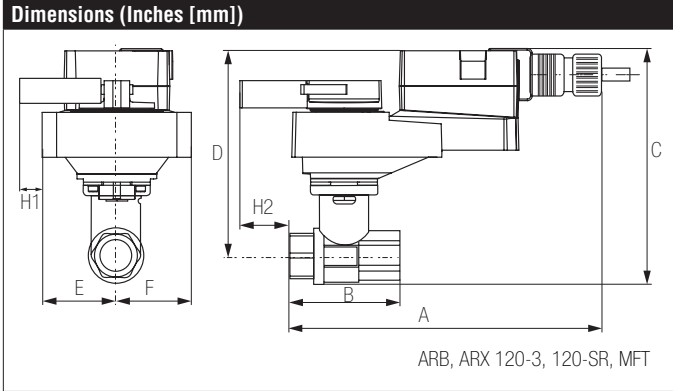
Dimensions (Inches [mm])



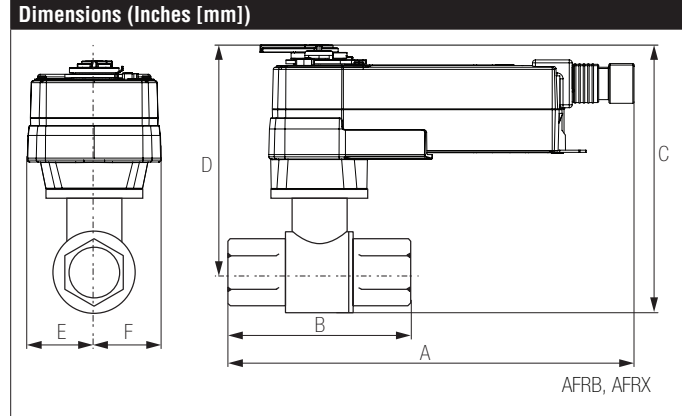
A	B	C	D	E	F	H1
10.25"	4.93"	7.68"	5.98"	1.73" [44]		1.18" [30]
[260]	[125]	[195]	[152]			

B253, 2-Way, Characterized Control Valve

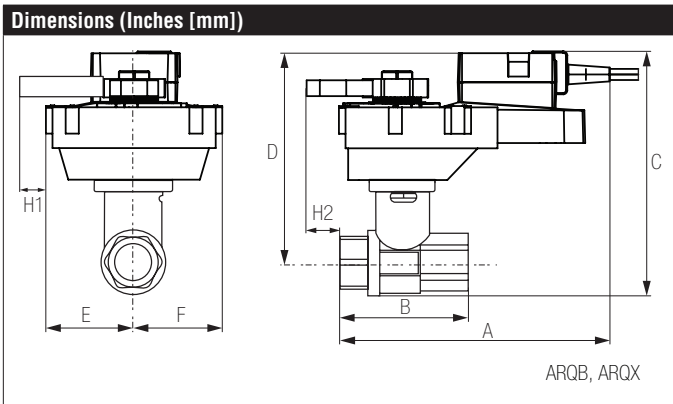
Stainless Steel Ball and Stem



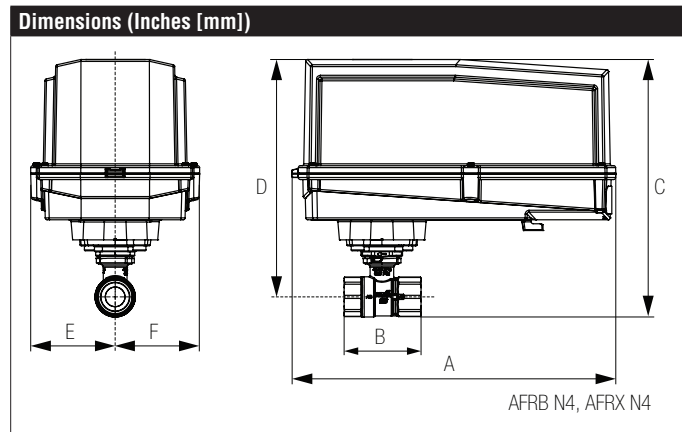
A	B	C	D	E	F	H1
11.25" [286]	4.93" [125]	7.68" [195]	5.98" [152]	1.73" [44]		1.18" [30]



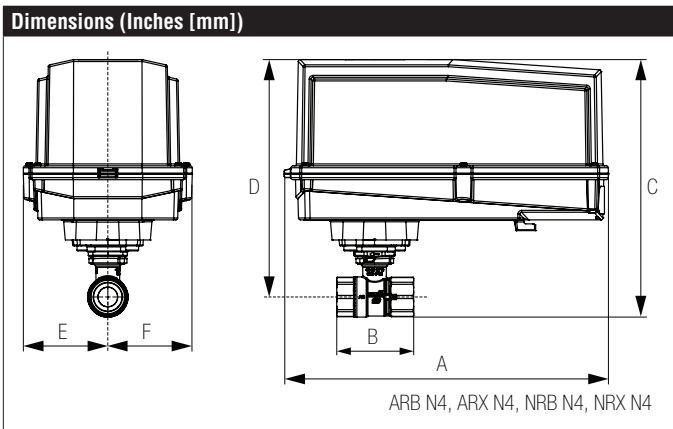
A	B	C	D	E	F
11.27" [286]	4.93" [125]	10.56" [268]	8.86" [225]		2.02" [51]



A	B	C	D	E	F	H1	H2
9.9" [251]	4.21" [107]	7.45" [190]	6.11" [155]	2.28" [58]		0.75" [20]	0.5" [15]



A	B	C	D	E	F
12.98" [330]	4.93" [125]	10.29" [261]	9.24" [235]		3.39" [86]



A	B	C	D	E	F
11.36" [289]	4.93" [125]	10.74" [274]	8.01" [204]		2.44" [62]

Date created, 03/28/2016 - Subject to change. © Belimo Aircontrols (USA), Inc.

ARB24-3

On/Off, Floating Point, Non-Spring Return, 24 V









Technical Data	
Power Supply	24 VAC ± 20%, 50/60 Hz, 24 VDC ± 10%
Power Consumption Running	2.5 W
Power Consumption Holding	0.2 W
Transformer Sizing	5.5 VA (class 2 power source)
Electrical Connection	3 ft [1m], 18 GA plenum cable with 1/2" conduit connector
Overload Protection	electronic throughout 0° to 95° rotation
Input Impedance	600 Ω
Angle of Rotation	90°
Direction of Rotation (Motor)	reversible with built-in switch
Position Indication	integrated into handle
Manual Override	external push button
Running Time (Motor)	90 sec
Humidity	5 to 95% RH non condensing (EN 60730-1)
Ambient Temperature Range	-22°F to 122°F [-30°C to 50°C]
Storage Temperature Range	-40°F to 176°F [-40°C to 80°C]
Housing	NEMA 2, IP54, UL enclosure type 2
Housing Material	UL94-5VA
Agency Listings†	cULus acc. to UL60730-1A/-2-14, CAN/CSA E60730-1:02, CE acc. to 2004/108/EC and 2006/95/EC
Noise Level (Motor)	<45 dB (A)
Servicing	maintenance free
Quality Standard	ISO 9001
Weight	2 lb [0.9 kg]


†Rated Impulse Voltage 800V, Type action 1.B , Control Pollution Degree 3.

Date created, 03/28/2016 - Subject to change. © Belimo Aircontrols (USA), Inc.

Wiring Diagrams

✂️ INSTALLATION NOTES

-  Actuators with appliance cables are numbered.
-  Provide overload protection and disconnect as required.
-  Actuators may also be powered by 24 VDC.
-  Actuators Hot wire must be connected to the control board common. Only connect common to neg. (-) leg of control circuits. Terminal models (-T) have no-feedback.
-  Actuators may be connected in parallel if not mechanically linked. Power consumption and input impedance must be observed.
-  Meets cULus requirements without the need of an electrical ground connection.

 **WARNING! LIVE ELECTRICAL COMPONENTS!**
 During installation, testing, servicing and troubleshooting of this product, it may be necessary to work with live electrical components. Have a qualified licensed electrician or other individual who has been properly trained in handling live electrical components perform these tasks. Failure to follow all electrical safety precautions when exposed to live electrical components could result in death or serious injury.

